

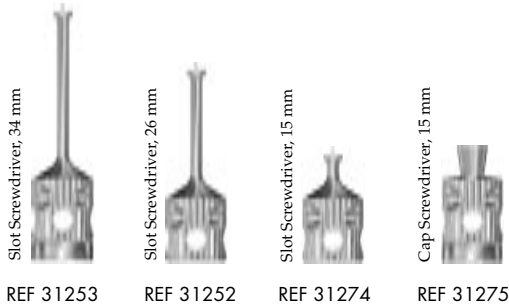


Cresco API™ for Semados™

Implant Ø S 3.25, S 3.75, S 4.5 mm		Cresco API™	REF 30371	REF 30571	REF 30871
Prosthetic Components		Laboratory Components		Includes Bridge Support in	
Impression Element and Pin	Bridge Screw	Replica	Process Screw	Wax Tube	Titanium
					Burnout
					Cobalt-Chrome

Cresco™ restorative instruments for Semados™

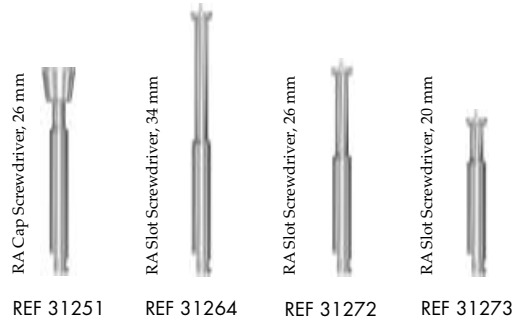
Screwdrivers



REF 31254

Slot Screwdriver, Long

RA Screwdrivers



Instruments

REF 31276



Torque Ratchet Wrench with individual adjustment of the torque to 15, 20 and 35 Ncm

REF 31248



Counter Torque Key, flat grip

REF 22437



Forceps titanium, 94 mm

Semados™ is a registered trademark of BEGO Bremer Goldschlägerei Wilh. Herbst GmbH & Co, Germany.

Cresco™ and Cresco API™ are trademarks of Astra Tech AB, Sweden.